

CERATIX 8563

Wax dispersion based on a blend of EVA and EAA copolymer waxes for solvent-borne effect coating systems to improve the orientation of effect pigments. It reduces settling of the effect pigments in the circulation pipe and in the container.

Product Data

Composition

Dispersion of a blend of ethylene vinyl acetate copolymer wax (EVA) and ethylene acrylic acid copolymer wax (EAA)

Typical Properties

The values indicated in this data sheet describe typical properties and do not constitute specification limits.

Non-volatile matter:	4.4 %
Solvents:	Xylene/butylacetate/n-butanol 3/6/1
Flash point:	27 °C
Melting point (wax content):	110 °C
Viscosity (23 °C):	ca. 12 mPa·s

Food Contact Legal Status

For the current food contact legal status, please contact our product safety department or visit www.byk.com for further information.

Storage and Transportation

Temperature sensitive. To be stored and transported at a temperature below 35 °C. Mix well before use.

Special Note

Test method: Seeding

The wax additive is homogenized with a dissolver for 5 min at 4 m/s, then diluted with 20 % n-butylacetate and stirred for a further 2 min at about 4 m/s. A draw down is then made on a glass panel with a 100 µm doctor blade. The result must be clear and free from seeds during drying.

Test method: Particle size measurement with a grindometer according to ISO 1524

The wax additive is homogenized with a dissolver for 5 min at 4 m/s. A draw down is then made on a 50 µm grindometer. Result: 15 µm particle size.

Applications

Coatings Industry

Special Features and Benefits

The additive improves the orientation of effect pigments (aluminum, mica etc.), reduces large-scale clouding and minimizes short-wave defects (mottling, Bénard cells). It enhances the flip-flop effect and improves the leveling of the subsequent clear coating. Due to the special rheological properties of CERATIX 8563, it also reduces the settling of the effect pigments in the container and in the circulation pipe.

Recommended Use

The additive is recommended for all solvent-borne base coats and one-coat top coats with effect pigments.

Automotive coatings	■
Industrial coatings	■

■ especially recommended

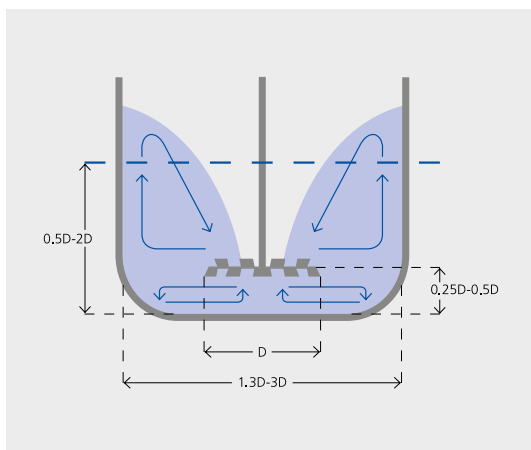
Recommended Levels

40-70 % additive (as supplied) based on a solid binder.

The above recommended levels can be used for orientation. Optimal levels are determined through a series of laboratory tests.

Incorporation and Processing Instructions

The wax additive must be homogenized with a dissolver (4 m/s) prior to use and then added to the binder solution under agitation. In systems with CAB, the CAB solution must first be incorporated homogeneously in the binder solution at high shear forces (> 5 m/s) before the stirred wax additive, the effect pigment slurry and the solvents can be added under agitation.



Special Note

CERATIX 8563 is the NMP (N-Methyl-2-pyrrolidone) -free variant of CERATIX 8463. CERATIX 8561 and CERATIX 8566 are two other wax additives which are very similar to CERATIX 8563. CERATIX 8563 is more polar than the other two, and CERATIX 8566 is aromatic-free. Choosing the most suitable CERATIX type depends on the polarity of the base coat and of the clear coat. The choice can be determined by carrying out comparative testing.



Additive Guide



BYK-Chemie GmbH
P.O. Box 10 02 45
46462 Wesel
Germany
Tel +49 281 670-0
Fax +49 281 65735

info@byk.com
www.byk.com

ACTAL®, ADD-MAX®, ADD-VANCE®, ADJUST®, ADVITROL®, ANTI-TERRA®, AQUACER®, AQUAMAT®, AQUATIX®, BENTOLITE®, BYK®, BYK®-DYNWET®, BYK®-SILCLEAN®, BYKANOL®, BYKETOL®, BYKJET®, BYKO2BLOCK®, BYKOPLAST®, BYKUMEN®, CARBOBYK®, CERACOL®, CERAFAC®, CERAFLOUR®, CERAMAT®, CERATIX®, CLAYTONE®, CLOISITE®, DISPERBYK®, DISPERPLAST®, FULACOLOR®, FULCAT®, GARAMITE®, GELWHITE®, HORDAMER®, LACTIMON®, LAPONITE®, MINERAL COLLOID®, MINERPOL®, NANOBYK®, OPTIBENT®, OPTIFLO®, OPTIGEL®, PAPERBYK®, PERMONT®, PRIEX®, PURE THIX®, RHEOCIN®, RHEOTIX®, SCONA®, SILBYK®, TIXOGEL®, VISCOBYK® and Y 25® are registered trademarks of the BYK group.

The information herein is based on our present knowledge and experience. The information merely describes the properties of our products but no guarantee of properties in the legal sense shall be implied. We recommend testing our products as to their suitability for your envisaged purpose prior to use. No warranties of any kind, either express or implied, including warranties of merchantability or fitness for a particular purpose, are made regarding any products mentioned herein and data or information set forth, or that such products, data or information may be used without infringing intellectual property rights of third parties. We reserve the right to make any changes according to technological progress or further developments.

This issue replaces all previous versions – Printed in Germany